



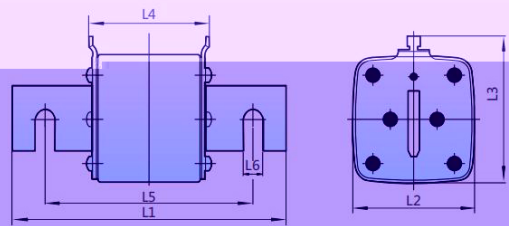


续上表

规格	国内外同类型号	额定电流(A)	额定电压(V)	分断能力(kA)
RT36-0	RT16-0(NT0)	6	500/690	120/50
		10	500/690	120/50
		16	500/690	120/50
		20	500/690	120/50
		25	500/690	120/50
		32	500/690	120/50
		35	500/690	120/50
		40	500/690	120/50
		50	500/690	120/50
		63	500/690	120/50
		80	500/690	120/50
		100	500/690	120/50
		125	500/690	120/50
RT36-1	RT16-1(NT1)	80	AC500/AC690/DC440	120/50/100
		100	AC500/AC690/DC440	120/50/100
		125	AC500/AC690/DC440	120/50/100
		160	AC500/AC690/DC440	120/50/100
		200	AC500/AC690/DC440	120/50/100
		224	AC500/AC690/DC440	120/50/100
		250	AC500/AC690/DC440	120/50/100
RT36-2	RT16-2(NT2)	125	AC500/AC690/DC440	120/50/100
		160	AC500/AC690/DC440	120/50/100
		200	AC500/AC690/DC440	120/50/100
		224	AC500/AC690/DC440	120/50/100
		250	AC500/AC690/DC440	120/50/100
RT36-3	RT16-3(NT3)	315	AC500/AC690/DC440	120/50/100
		355	AC500/AC690/DC440	120/50/100
		400	AC500/AC690/DC440	120/50/100
		315	AC500/AC690/DC440	120/50/100
		355	AC500/AC690/DC440	120/50/100
		400	AC500/AC690/DC440	120/50/100
RT36-4	RT16-4(NT4)	800	AC500	120/50/100
		1000	AC500	120/50/100
		1250	AC500	120/50/100
		1600	AC500	120/50/100

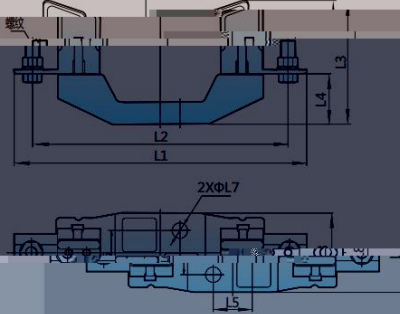
## 5 外形及安装尺寸

### 5.1 熔断体尺寸

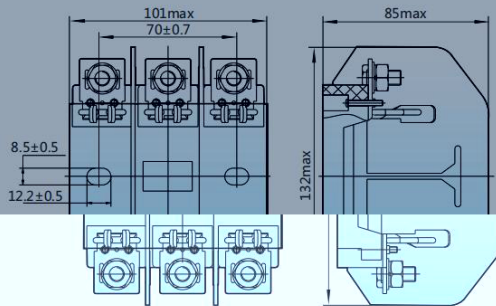


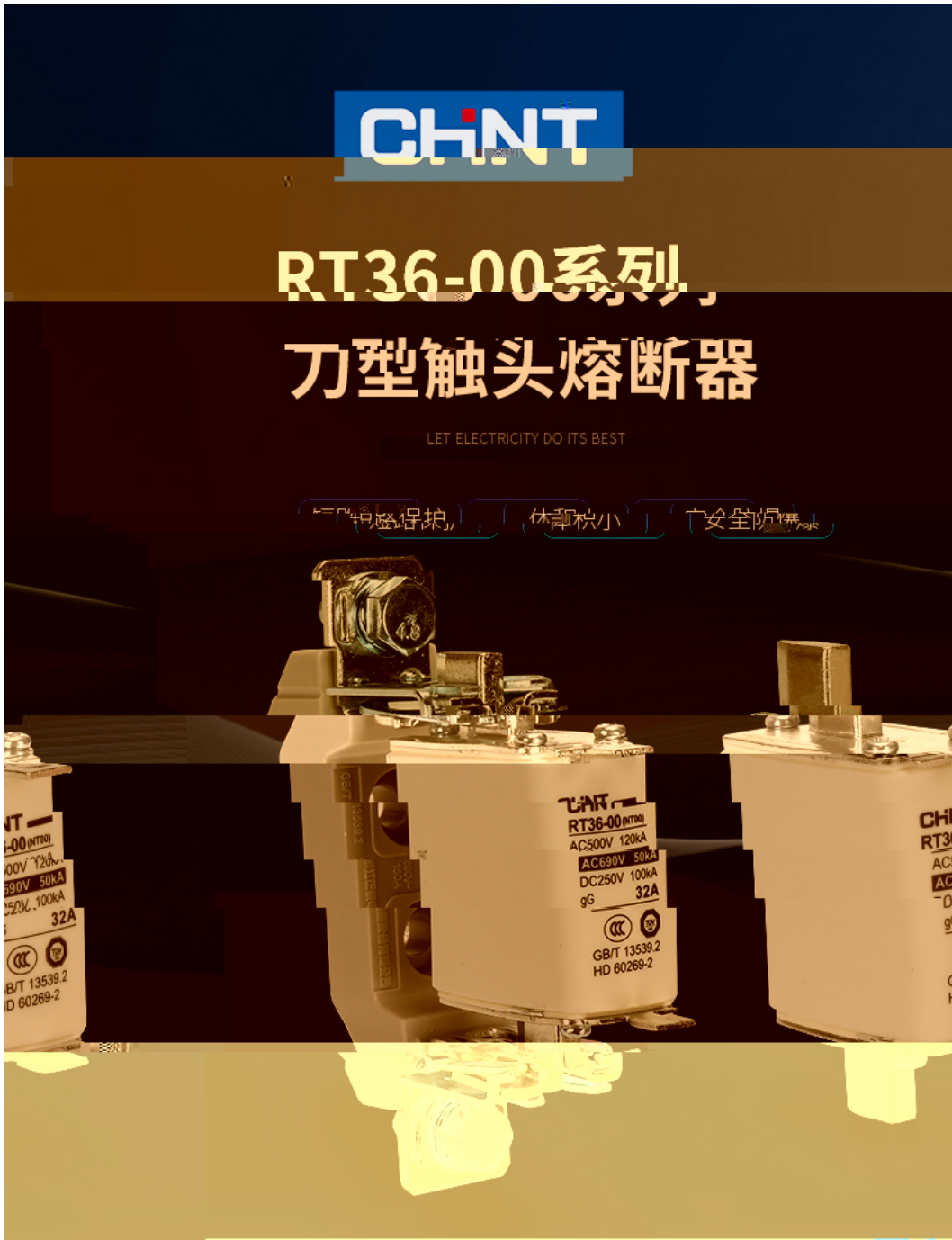
尺寸	规格					
	RT36-00	RT36-0	RT36-1	RT36-2	RT36-3	RT36-4
L1	78.5±1.5	125±2.5	135±2.5	150±2.5	150±2.5	200±3.0
L2	30max	31max	49max	60max	69max	90max
L3	58max	58 <sup>+1.5</sup> max	64max	74max	87max	114max
L4	49±1.5	68 <sup>-3.0</sup>	68±2.5	68±2.5	68±2.5	90±3.0
L5	-	-	-	-	-	150±2.0
L6	-	-	-	-	-	15±0.5

4.2 熔断器底座尺寸



尺寸	规格					
	RT36-00	RT36-0	RT36-1	RT36-2	RT36-3	RT36-4
L1	120max	174max	201max	227max	255max	301max
L2	100±1.5	150±1.5	173±1.5	200±1.5	210±1.5	258±1.5
L3	61max	75max	86max	97max	105max	146max
L4	24±1.5	35±1.5	35±1.5	35±1.5	35±1.5	40±1.5
L5	25±0.7	25±0.7	25±0.7	25±0.7	25±0.7	30±0.7
L6	-	-	30±0.7	30±0.7	30±0.7	45±0.7
L7	8.3±0.5	7.5±0.5	10.5±0.5	10.5±0.5	10.5±0.5	14±0.5
L8	31max	31max	55max	62max	62max	76max
螺纹	M8	M8	M10	M10	M12	M16

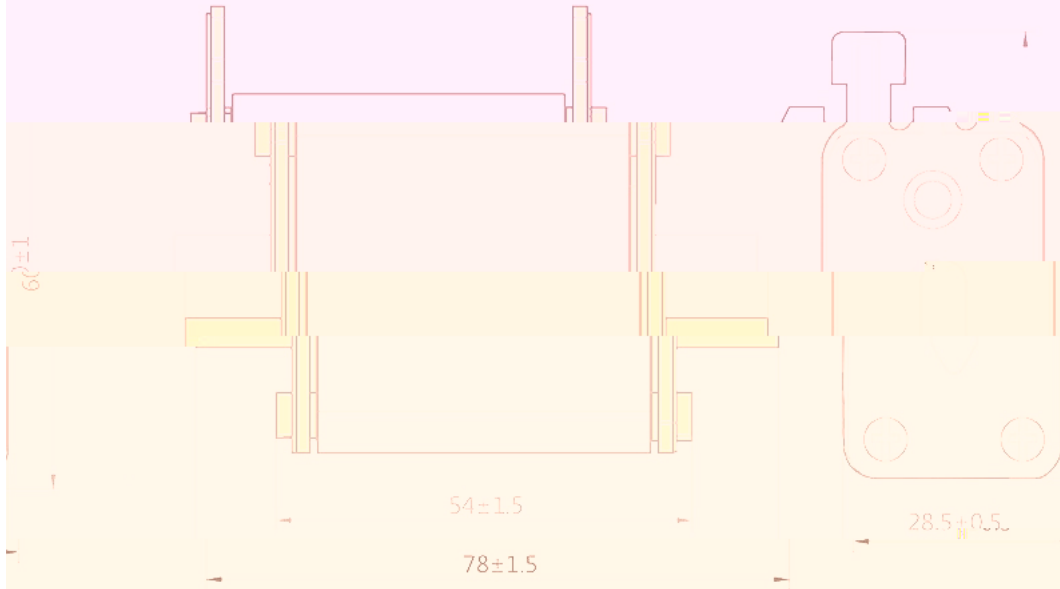






### RT36-00熔断体

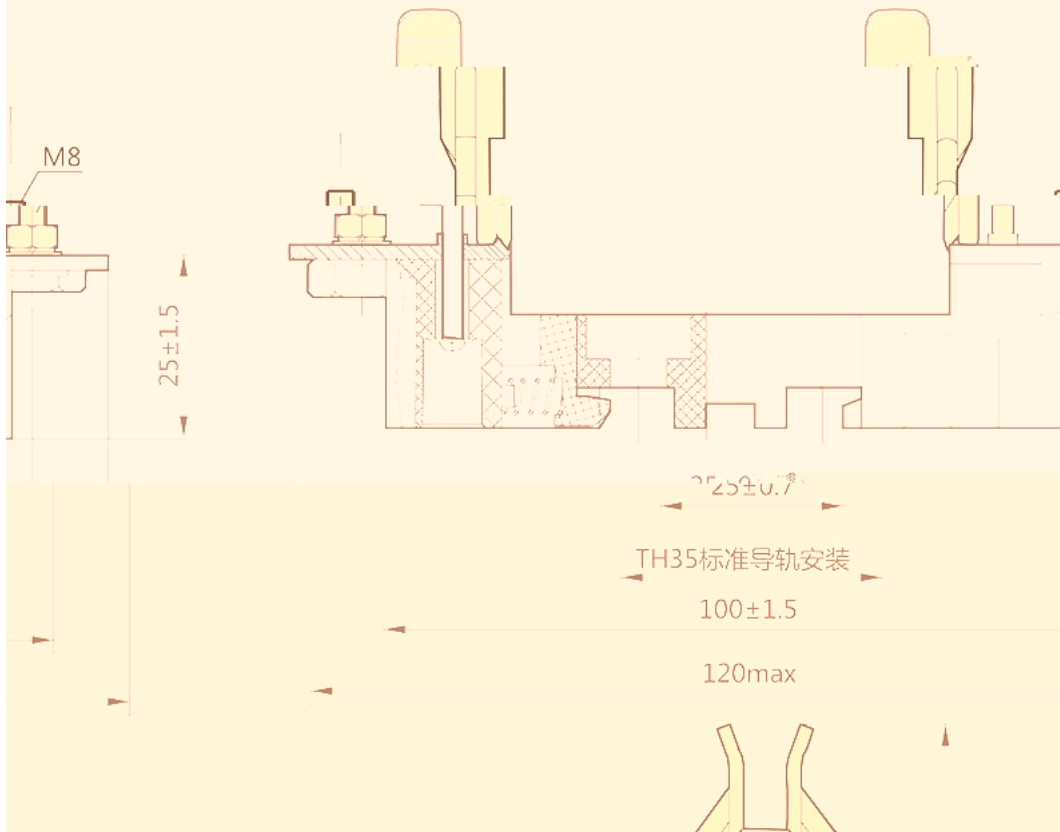
单位：MM

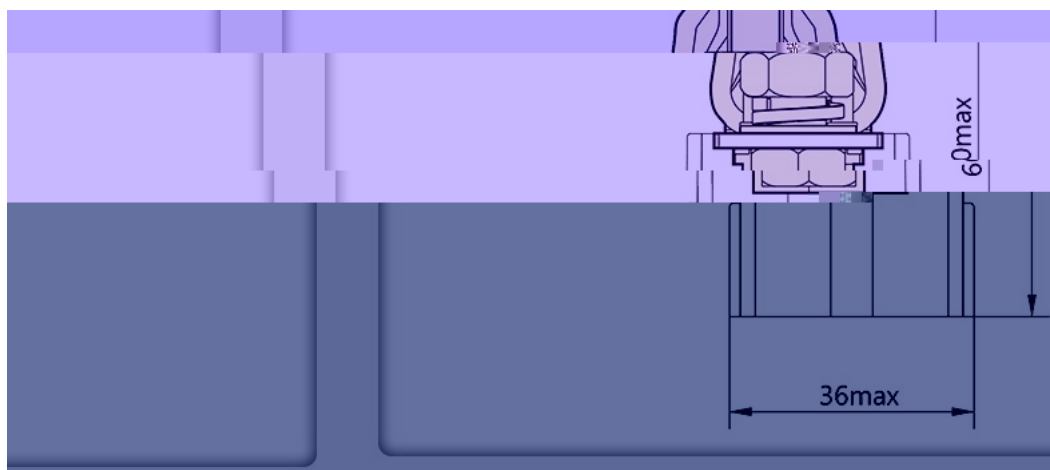


### RT36-00底座

单位：MM

单





# 产品实拍展示

Please  
Photographs of products

