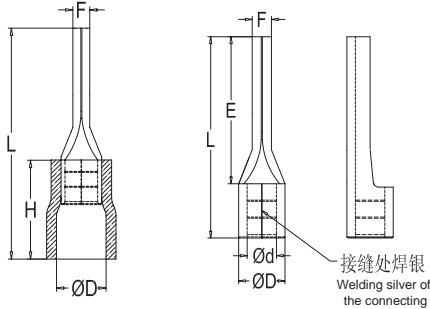


RCCN 日成PINF针型绝缘端子 PINF Insulated Terminals



型号 Item No.	AWG mm ² 包装	尺寸 DIMENSION				颜色 Color
		F φ mm	L mm	H mm	D φ mm	
PINF1.25-9	22-16 0.5-1.5 1000PCS	1.9	19.0	10.0	4.0	红/Red
PINF1.25-10		1.9	20.0			
PINF1.25-12		1.9	22.0			
PINF1.25-13		1.9	23.0			
PINF1.25-18	1.9	28.0				
PINF2-9	16-14 1.5-2.5 1000PCS	1.9	19.0	10.0	4.5	蓝/Blue
PINF2-10		1.9	20.0			
PINF2-12		1.9	22.0			
PINF2-13		1.9	23.0			
PINF2-18	1.9	28.0				
PINF3.5-10	14-12 2.5-4 500PCS	2.8	20.5	13.5	6.4	黑/Black
PINF3.5-13	500PCS	2.8	25.5	13.5	6.4	黑/Black
PINF5.5-13		2.8	25.5	13.5	6.4	黄/Yellow



RCCN 日成PIN针型裸端子

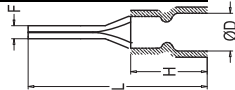


型号 Item No.	AWG mm ² 包装	尺寸 DIMENSION				
		F φ mm	L mm	E mm	D φ mm	d φ mm
PIN1.25-9	22-16 0.5-1.5 1000PCS	1.9	13.8	9	3.4	1.7
PIN1.25-10		1.9	14.8	10		
PIN1.25-12		1.9	16.8	12		
PIN1.25-13		1.9	17.8	13		
PIN1.25-18	1.9	22.8	18			
PIN2-9	16-14 1.5-2.5 1000PCS	1.9	13.8	9	4.1	2.3
PIN2-10		1.9	14.8	10		
PIN2-12		1.9	16.8	12		
PIN2-13		1.9	17.8	13		
PIN2-18	1.9	22.8	18			
PIN3.5-10	14-12/2.5-4 500PCS	2.8	14.8	10	5.0	3.0
PIN3.5-13	500PCS	2.8	19.8	13	5.0	3.0
PIN5.5-13	12-10/4-6	2.8	19.8	13	5.6	3.4

RCCN 日成EPINF针型易进绝缘端子 EPINF Insulated Terminals



型号 Item No.	AWG mm ² 包装	尺寸 DIMENSION				颜色 Color
		F φ mm	L mm	H mm	D φ mm	
EPINF1.25-9	22-16 0.5-1.5 1000PCS	1.9	19.0	10.0	4.0	
EPINF1.25-10		1.9	20.0			
EPINF1.25-12		1.9	22.0			
EPINF1.25-13		1.9	23.0			
EPINF1.25-18	1.9	28.0				
EPINF2-9	16-14 1.5-2.5 1000PCS	1.9	19.0	10.0	4.5	
EPINF2-10		1.9	20.0			
EPINF2-12		1.9	22.0			
EPINF2-13		1.9	23.0			
EPINF2-18	1.9	28.0				
EPINF3.5-10	12-10/4-6/500PCS	2.8	20.5	13.5	6.4	黑/Black
EPINF3.5-13		2.8	25.5	13.5	6.4	黑/Black
EPINF5.5-13		2.8	25.5	13.5	6.4	黄/Yellow



RCCN 日成EDBF片形易进绝缘端子 EDBF Insulated Terminals



型号 Item No.	AWG mm ² 包装	尺寸 DIMENSION				颜色 Color
		F mm	L mm	H mm	D φ mm	
EDBF1.25-10	22-16 0.5-1.5 1000PCS	2.3	20.0	10.0	4.3	红/Red
EDBF1.25-11		3.0	21.0			
EDBF1.25-14		3.0	24.0			
EDBF1.25-18		2.2	28.0			
EDBF2-10	16-14 1.5-2.5 1000PCS	2.4	19.0	10.0	4.9	蓝/Blue
EDBF2-14		2.4	24.0			
EDBF2-18		2.2	28.0			
EDBF5.5-10	12-10	2.8	22.5	13.5	5.6	黄/Yellow
EDBF5.5-14	4-6	4.5	26.5			
EDBF5.5-18	500PCS	4.5	30.5			