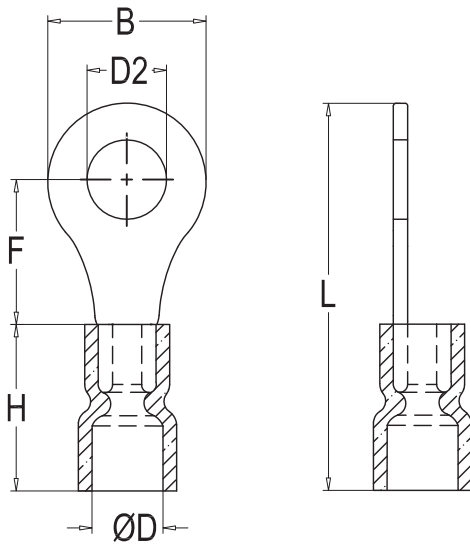


# RCCN 日成ERF型易进绝缘端子 ERF Insulated Ring Terminals

说明：本系列配套工具 YYT-1可定制特殊颜色，有起订量要求。1000PCS  
 Use note: installed by tool YYT-1 Special Color can be produced with MOQ.



型号 Item No.	尺寸DIMENSION							颜色 Color
	AWG/mm <sup>2</sup> 大	□ Dia. of bolt d2	B mm	L mm	F mm	H mm	Dφ mm	
ERF1.25-3		3.2mm	5.7	17.8	4.95			Red
ERFS1.25-3.5		3.7mm	5.7	17.8	4.95			
ERFM1.25-3.5		3.7mm	6.6	20.1	6.3			
ERFL1.25-3.5		3.7mm	8.0	21.5	7.0			
ERFS1.25-4	22-16	4.3mm	6.6	20.1	6.3	10.0	4.3	
ERFL1.25-4	0.5-1.5	4.3mm	8.0	21.5	7.0			
ERF1.25-5	19A	5.3mm	8.0	21.5	7.0			
ERFL1.25-5	1000PCS	5.3mm	9.8	23.0	8.5			
ERFS1.25-6		6.5mm	9.8	23.0	8.5			
ERF1.25-6		6.5mm	11.6	27.5	11.1			
ERF1.25-8		8.4mm	11.6	27.5	11.1			
ERF1.25-10		10.5mm	13.6	31.6	13.9			
ERF1.25-12		13.0mm	19.2	36.0	16.5			
ERF2-3		3.2mm	6.6	17.8	4.3			Blue
ERFS2-3.5		3.7mm	6.6	17.8	4.3			
ERFM2-3.5		3.7mm	6.6	21.0	7.0			
ERFL2-3.5		3.7mm	8.5	22.5	7.75			
ERFS2-4	16-14	4.3mm	6.6	19.5	6.5	10.0	4.9	
ERFL2-4	1.5-2.5	4.3mm	8.5	22.5	7.75			
ERFS2-5	27A	5.3mm	8.5	22.5	7.75			
ERFL2-5		5.3mm	9.5	22.5	7.25			
ERF2-6	1000PCS	6.5mm	12.0	27.6	11.0			
ERF2-8		8.4mm	12.0	27.6	11.0			
ERF2-10		10.5mm	14	31	13.9			
ERF2-12		13.0mm	19.2	36.5	16.5			
ERF3.5-4		4.3mm	8.0	24.5	7.7			Black
ERFS3.5-5		5.3mm	8.0	24.5	7.7			
ERFL3.5-5	14-12	5.3mm	12.0	27.9	7.7	13.5	6.7	
ERF3.5-6	2.5-4	6.5mm	12.0	27.9	7.7			
ERF3.5-8	37A	8.4mm	15.0	32.0	13.5			
ERF3.5-10	500PCS	10.5mm	15.0	32.0	13.5			
ERF5.5-3.5		3.7mm	7.2	21.4	5.9			yellow
ERFS5.5-4		4.3mm	7.2	21.4	5.9			
ERFL5.5-4		4.3mm	9.5	26.5	8.3			
ERF5.5-5	12-10	5.3mm	9.5	26.5	8.3	13.5	6.7	
ERF5.5-6	4-6	6.5mm	12.0	31	13.0			
ERF5.5-8	48A	8.4mm	15.0	33.7	13.7			
ERF5.5-10	500PCS	10.5mm	15.0	33.7	13.7			
ERF5.5-12		13.0mm	19.2	38.1	16.0			

